

# PB

## PUSH-BAR ANTIPANIC

Reversible antipanic device (PUSH-BAR type). We can take advantage of its reversibility during installation by means of the “one second system”. Manufactured for doors up to 2,66 m. It allows to install extensions for higher doors (up to 3 m). Certified with CE 1125. 3-7-7-B-1-4-2-2-B-A marking.

Horizontal bars available in lengths of 840 and 1170 mm.

### Materials

- latch bolt: steel
- cover: varnished steel
- sump: aluminum
- bar: aluminum


### Finishes

- Black / Black
- Black / Red
- Black / Silver
- SST effect

### Performance

- application: suitable for indoor/outdoor installation
- guaranteed cycles: 200,000
- actuation: 2 mm bar pressure

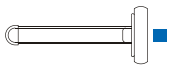
### Certificate

**CE**  **EN 1125: 2008 +/ EC1:2009**  
3-7-7-B-1-4-2-2-B-A

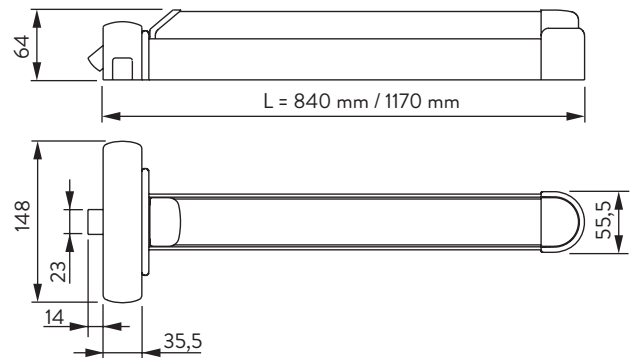
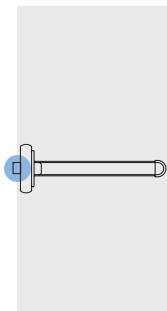
### Locking points

- 1, 2 or 3 points

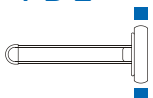
#### PB 1



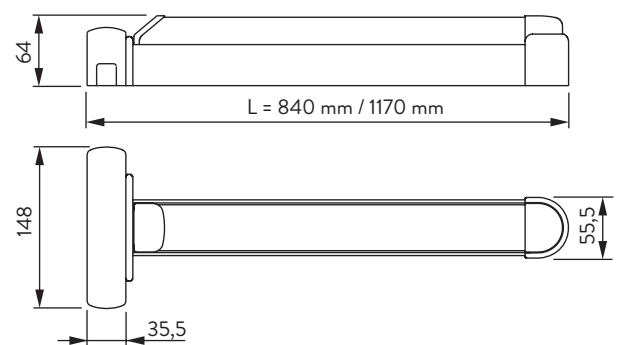
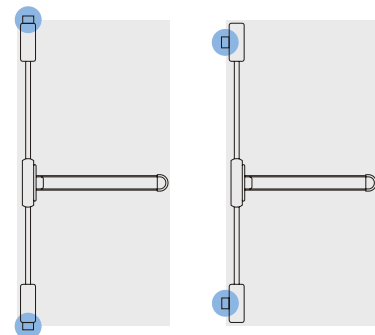
**CE**  
EN 1125



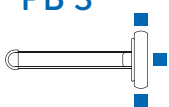
#### PB 2



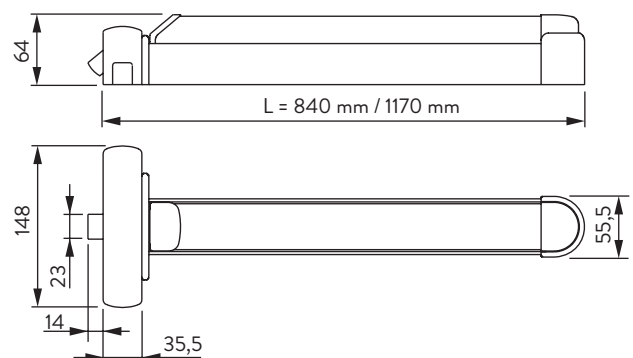
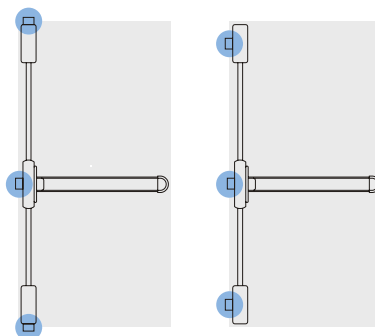
**CE**  
EN 1125



#### PB 3

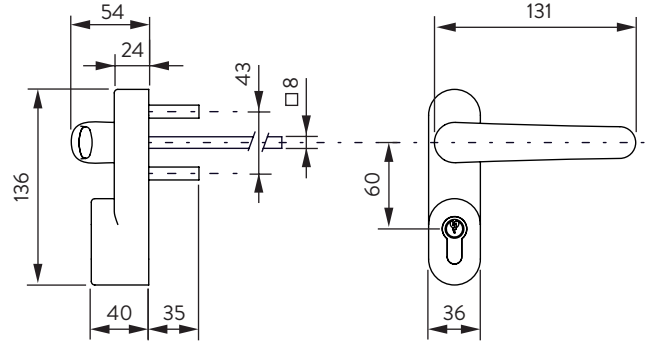
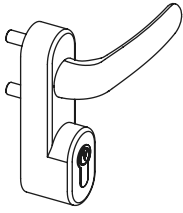


**CE**  
EN 1125

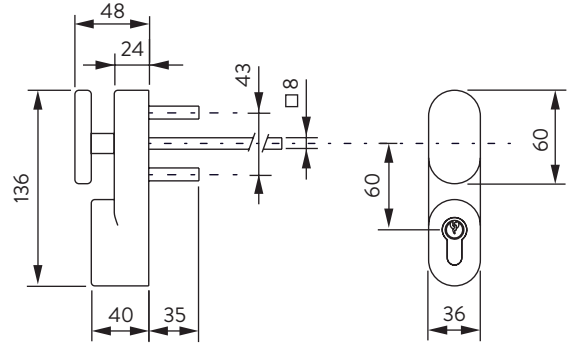
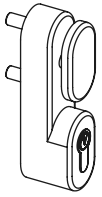


## ACCESSORIES

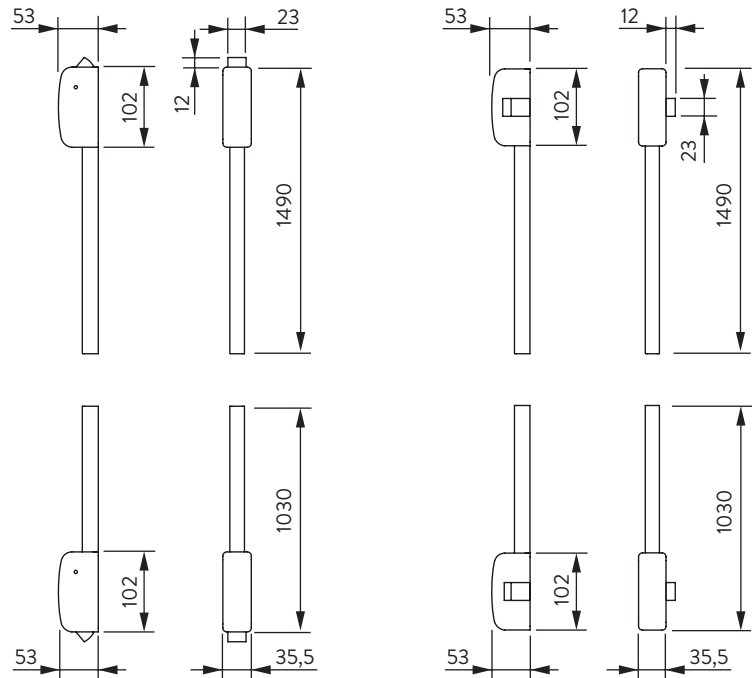
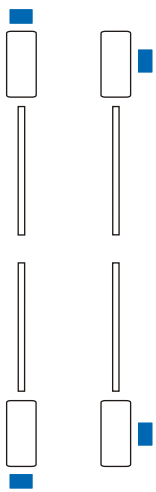
### HANDLE OUTSIDE TRIM



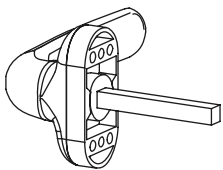
### OVAL HANDLE OUTSIDE TRIM



### VERTICAL RODS (WITH VERTICAL OR LATERAL LATCH BOLTS)



### PAINTED ALUMINUM OUTER HANDLE



### OUTER CYLINDER DRIVE

