

# AP

EN1125

## REVERSIBLE MODULAR ANTIPANIC

Reversible antipanic device. The latch is always made of stainless steel, thus permitting its installation on fire doors (FR). High-sensitivity mechanism, the latch actuates after a pressure of 2 mm. Manufactured for doors up to 2,66 m. It allows to install extensions for higher doors (up to 3 m). Certified with CE 1125. 3-7-7-B-1-4-2-2-B-A marking. Horizontal bars available in lengths of 950 mm, 1150 mm and 1450 mm.

### Materials

- latch bolt: steel
- cover: varnished steel
- sump: aluminum
- bar: aluminum

### Performance

- application: suitable for indoor/outdoor installation
- guaranteed cycles: 200,000
- actuation: 2 mm bar pressure

### Locking points

- 1, 2 or 3 points

### Body finishes



### Bar finishes

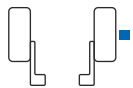


### Certificate

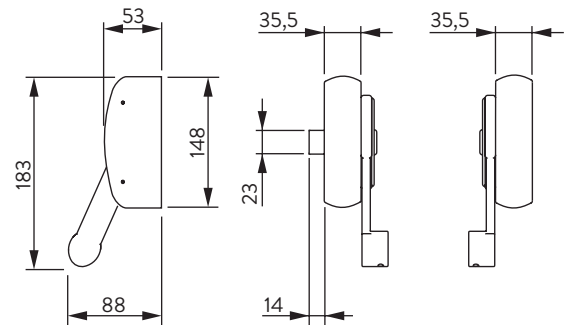
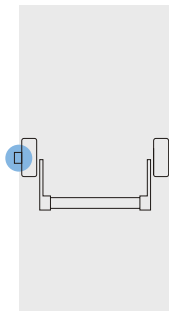


EN 1125: 2008 +/- EC1:2009  
3-7-7-B-1-4-2-2-A-A

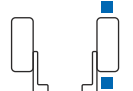
### AP 1



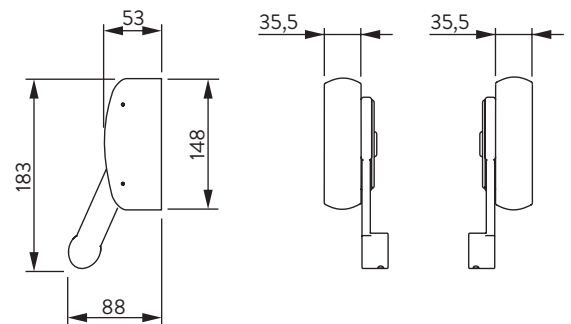
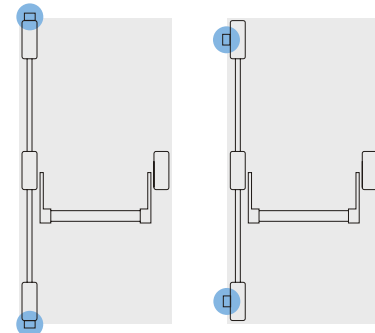
EN 1125



### AP 2



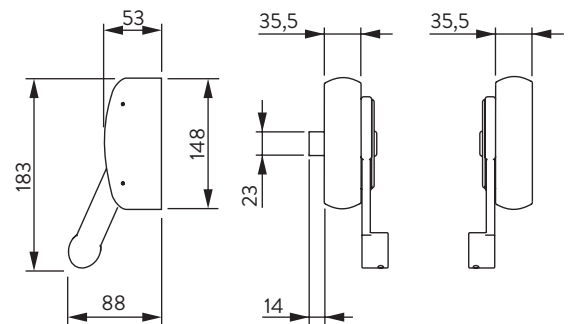
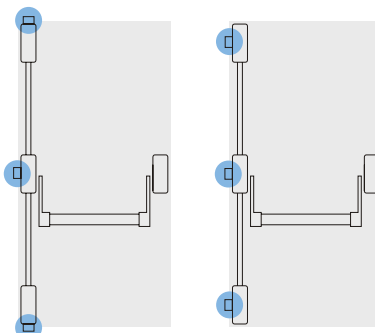
EN 1125



### AP 3

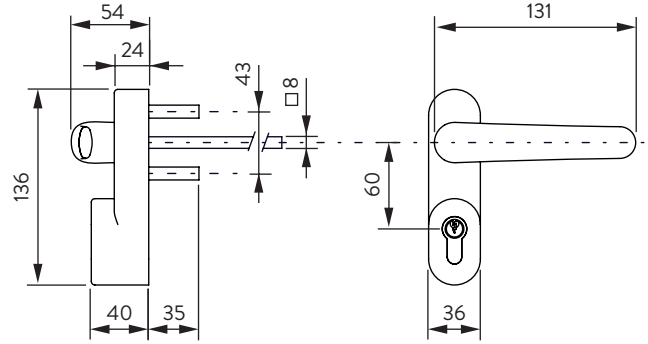
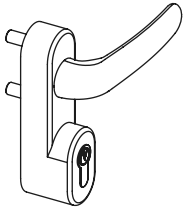


EN 1125

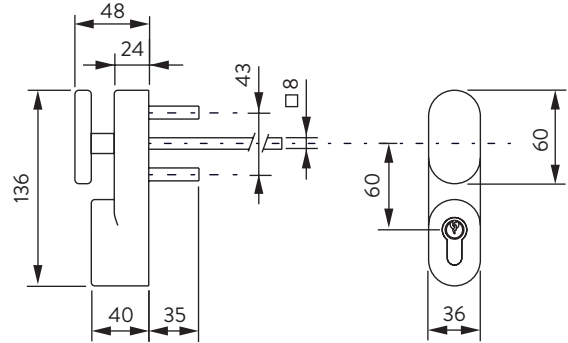
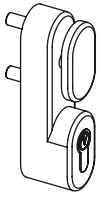


## ACCESSORIES

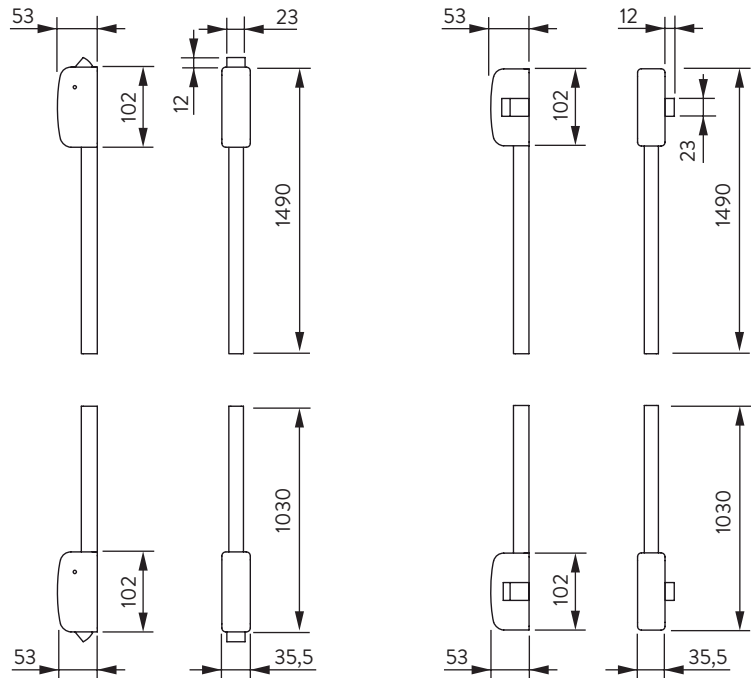
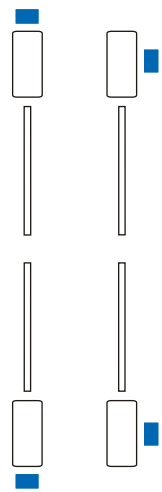
### HANDLE OUTSIDE TRIM



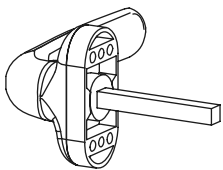
### OVAL HANDLE OUTSIDE TRIM



### VERTICAL RODS (WITH VERTICAL OR LATERAL LATCH BOLTS)



### PAINTED ALUMINUM OUTER HANDLE



### OUTER CYLINDER DRIVE

