

FX

SLIDING BOLT

SLIDING BOLT

Iron or stainless steel sliding bolts for all types of doors and windows. Suitable for aluminium, wood and metal. Available in two different measures (10x13 mm and 10x16 mm). The iron model can be bright gold or nickel finished.

SST

AISI 304



Materials

- body: stainless steel AISI 304
- inside: stainless steel AISI 304

SST

AISI 316



Materials

- body: stainless steel AISI 316
- inside: stainless steel AISI 316

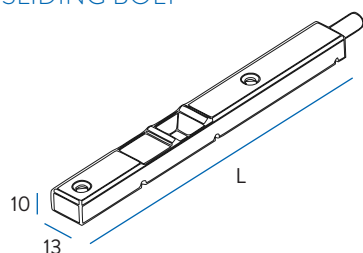
IRON

Materials

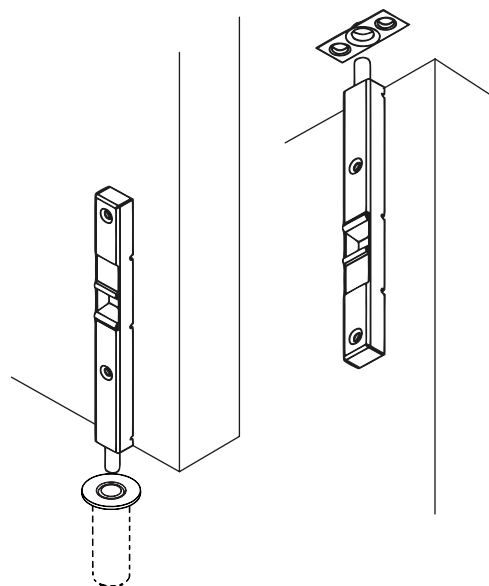
- body: iron
- inside: iron

FX (10x13)

SLIDING BOLT

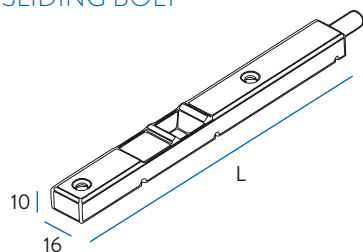


L: 100 mm
120 mm
160 mm



FX (10x16)

SLIDING BOLT



L: 150 mm
200 mm
250 mm
300 mm
400 mm
500 mm

