

FX FLUSHING BOLT

FLUSHING BOLT

Stainless steel flushing bolt available in AISI 304 and AISI 316 for all kinds of doors and windows. Suitable for aluminium, wood and metal. The available length measures go from 150mm to 500mm, with possibility to offer special measures. Round and straight edge options available.

SST AISI 304



Materials

- body: stainless steel AISI 304
- inside: stainless steel AISI 304

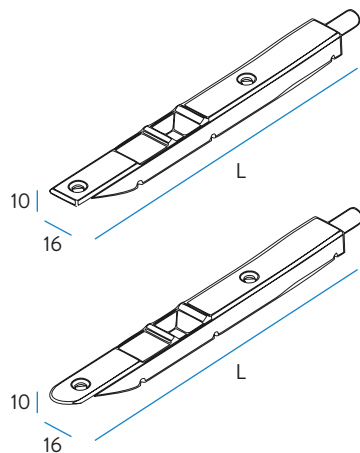
SST AISI 316



Material

- body: stainless steel AISI 316
- inside: stainless steel AISI 316

FX FLUSHING BOLT



- L : 150 mm
200 mm
250 mm
300 mm
400 mm
500 mm

