

RA IRON

RA 3 / RA 4 / RA 7

Specific product intended to be installed into the door. It operates in the last 10°, thus ensuring the complete closing of the door. 3 different models depending on the anchor (elliptical, in-line or diagonal anchor). Adjustable closing speed (G) in between 1 and 10 seconds.

Outside materials

- cylindrical body: anodized aluminum
- other external components: zinc-plated steel
- pins: zinc-plated steel
- wheel: synthetic rubber

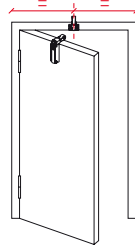
Inside materials

- hydraulic oil
- inner spring: special

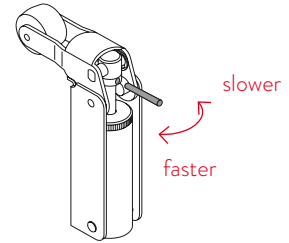
Performance

- mechanism: hydraulic system
- closing system: adjustable closing speed

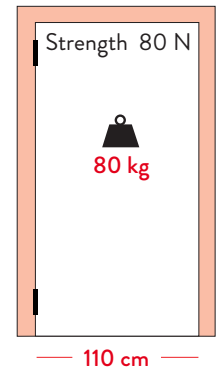
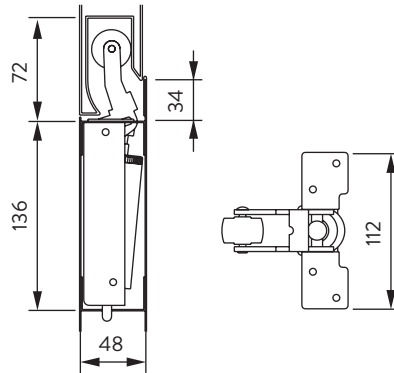
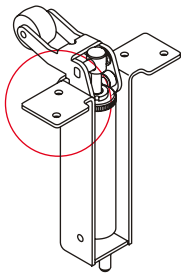
Proper installation



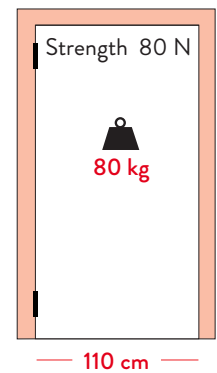
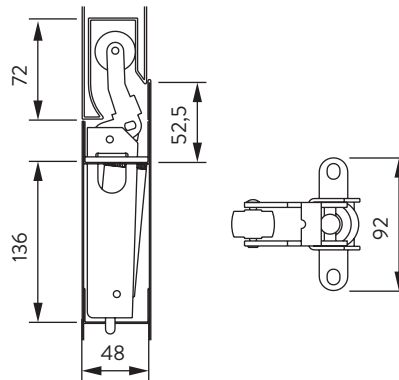
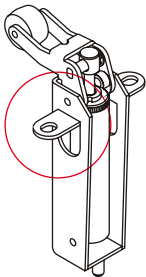
Easy speed adjustment



RA 3 G



RA 4 G



RA 7 G

