

PB

PUSH-BAR ANTIPANIC

Reversible antipanic device (PUSH-BAR type). We can take advantage of its reversibility during installation by means of the “one second system”. Manufactured for doors up to 2,66 m. It allows to install extensions for higher doors (up to 3 m). Certified with CE 1125. 3-7-7-B-1-4-2-2-B-A marking.

Horizontal bars available in lengths of 840 and 1170 mm.

Materials

- latch bolt: steel
- cover: varnished steel
- sump: aluminum
- bar: aluminum

Finishes

- Black / Black
- Black / Red
- Black / Silver
- SST effect

Performance

- application: suitable for indoor/outdoor installation
- guaranteed cycles: 200,000
- actuation: 2 mm bar pressure

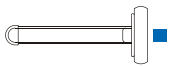
Certificate

EN 1125: 2008 +/- EC1:2009
 3-7-7-B-1-4-2-2-B-A

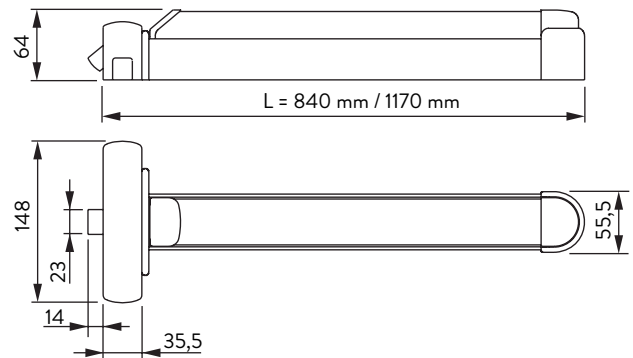
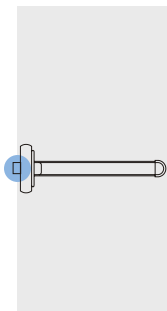
Locking points

- 1, 2 or 3 points

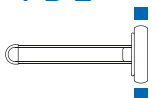
PB 1



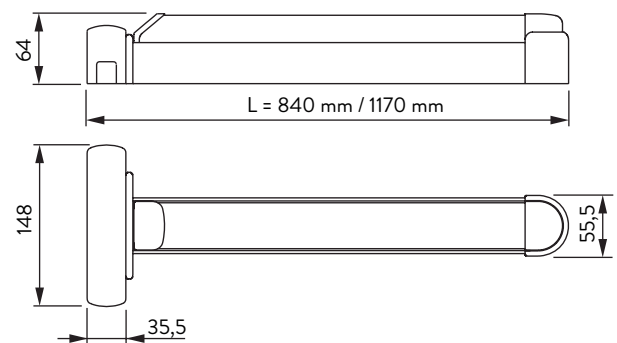
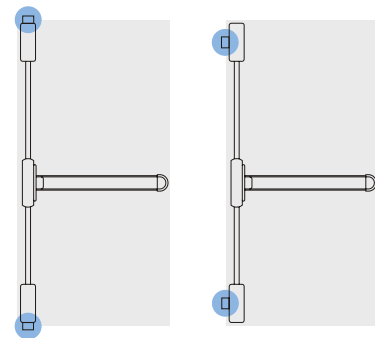
EN 1125



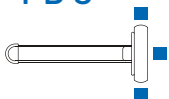
PB 2



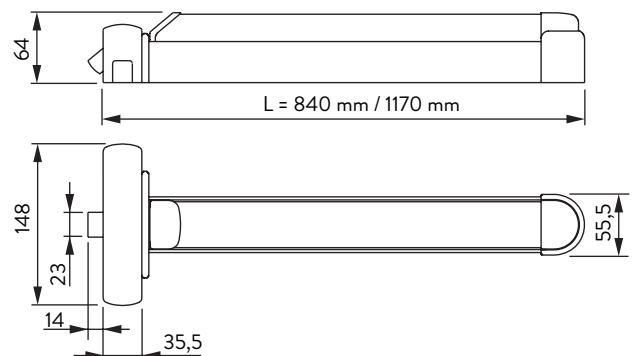
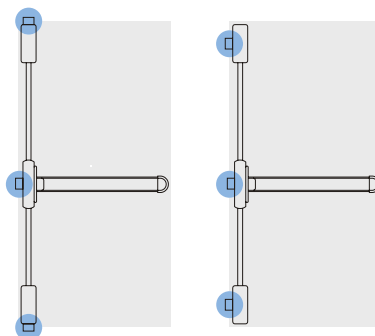
EN 1125



PB 3

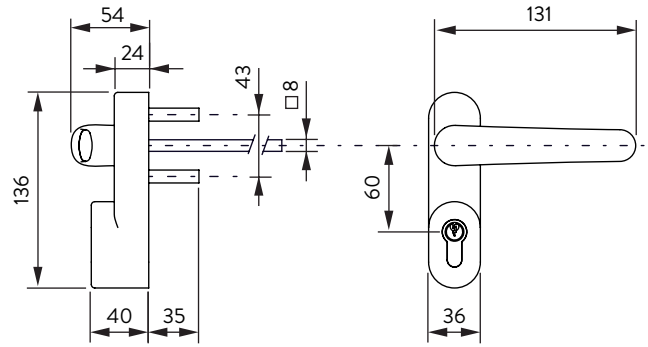
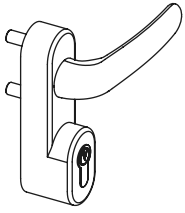


EN 1125

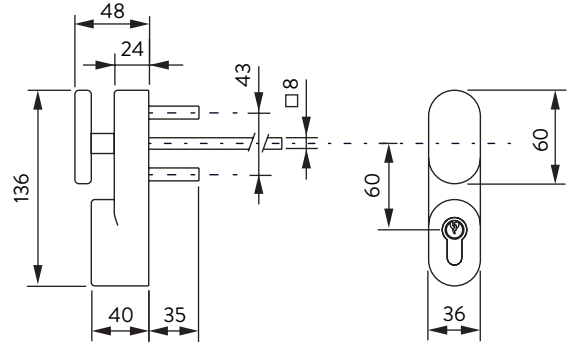
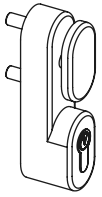


ACCESSORIES

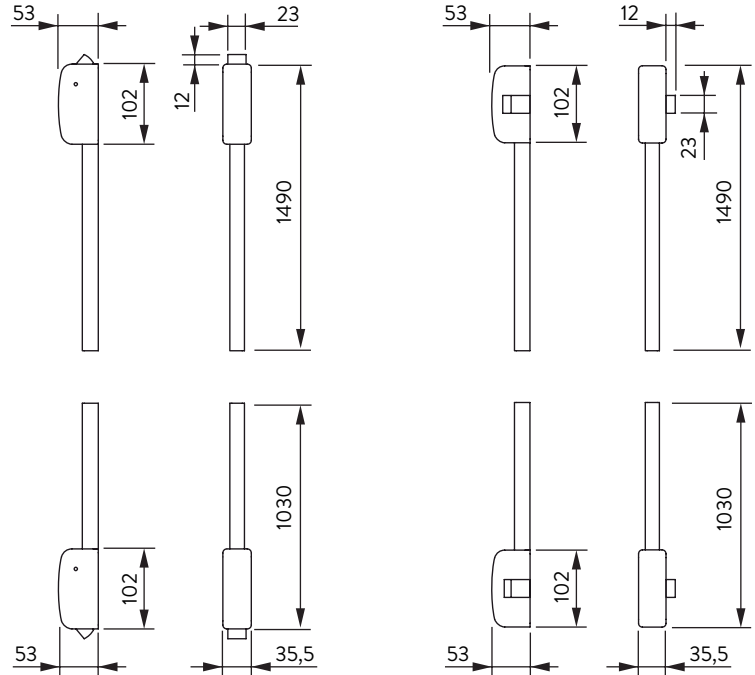
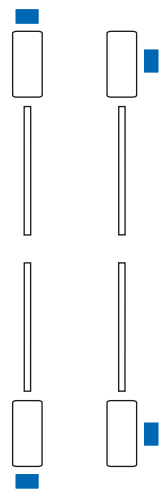
HANDLE OUTSIDE TRIM



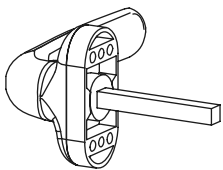
OVAL HANDLE OUTSIDE TRIM



VERTICAL RODS (WITH VERTICAL OR LATERAL LATCH BOLTS)



PAINTED ALUMINUM OUTER HANDLE



OUTER CYLINDER DRIVE

