

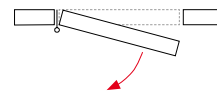
# PPM

## IRON

### ZINC-PLATED

#### PPM CR / PPM CRP

Blade hinges with bearing for installation on doors by screwing. Smooth opening and closing thanks to the bearing on the central axis. Same hinge for left and right opening. Load capacity up to 150 kg (CRP model). Made of zinc-plated steel.



#### Outside materials

- blade: zinc-plated steel
- adjustable cap: carbon steel
- bearing: steel (stainless steel CRP model)

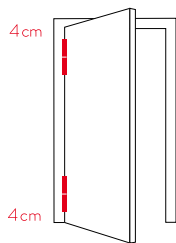
#### Inside materials

- inner axle: steel
- inner spring: steel blades set with protective grease

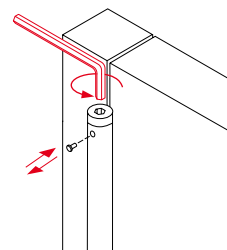
#### Performance

- application: suitable for indoor/outdoor installation
- automatic return: yes
- adjustable return power: yes
- maximum door opening: 180°
- working cycles: up to 500.000

#### Proper installation



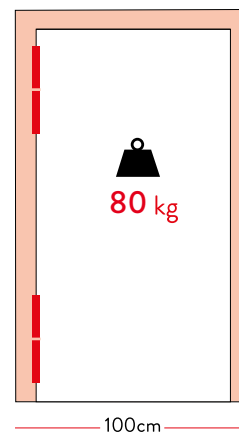
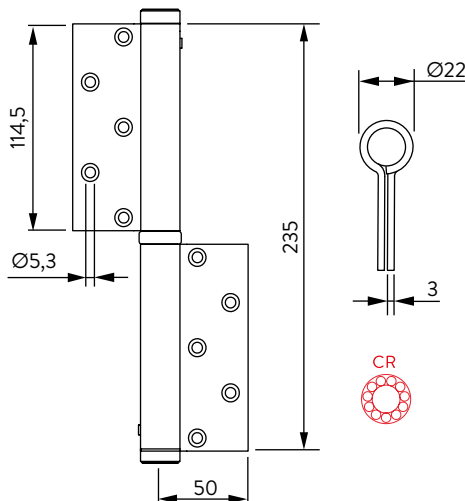
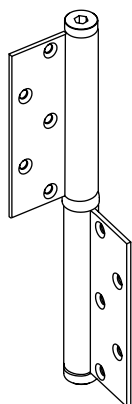
#### Tension



3-points adjusting cap

### PPM CR

#### 240 - WITH BEARING



### PPM CRP

#### 240 PLUS - WITH BEARING

