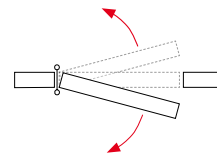


DA ALUM

DA 120 / DA E 120 / DA 180 / DA E 180 / DA A 180

Hinges for swing doors, conceived for a lot of transit. It comes in 120 or 180 mm length. Available in 3 different widths, 30 mm, 40 mm and 50 mm (only DA 180), they provide a solution for any need.



Outside materials

- blade: anodized aluminum
- adjustable cap: zamac
- washers: polyamide

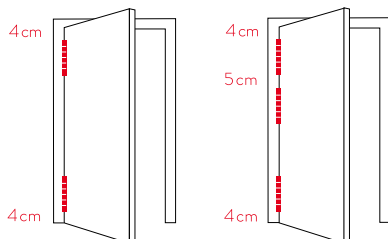
Inside materials

- inner axle: stainless steel AISI 304
- inner spring: steel (180) or stainless steel (120) blades set with protective grease

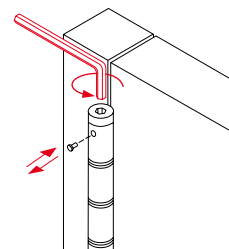
Performance

- application: suitable for indoor/outdoor installation
- automatic return: yes
- adjustable return power: yes
- maximum door opening: 180°
- working cycles: up to 500.000

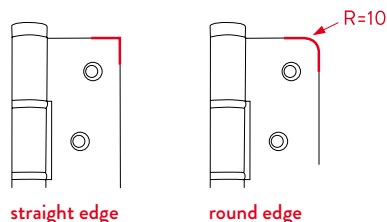
Proper installation of 2 and 3 hinges



Tension



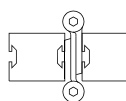
3-points adjusting cap



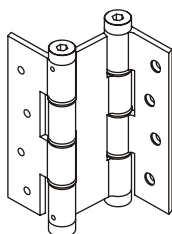
straight edge

round edge

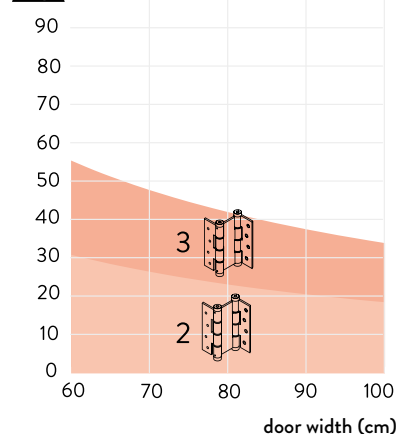
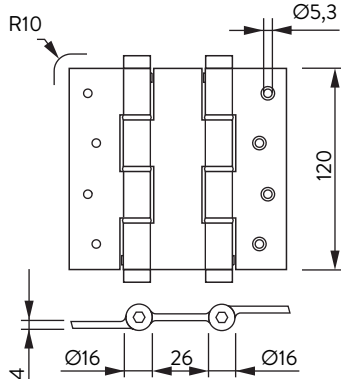
DA E 120



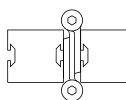
max. profile
30 mm



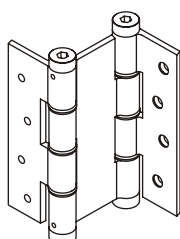
120



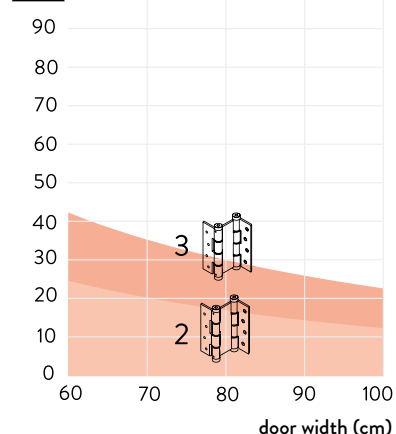
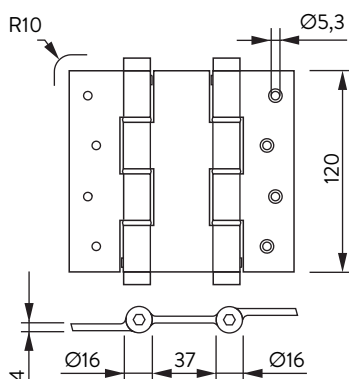
DA 120



max. profile
40 mm

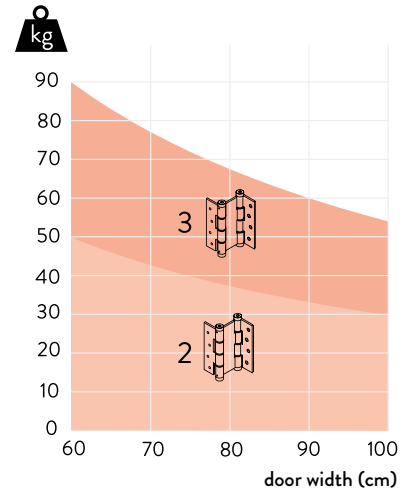
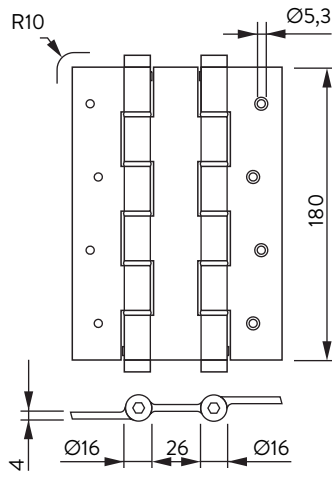
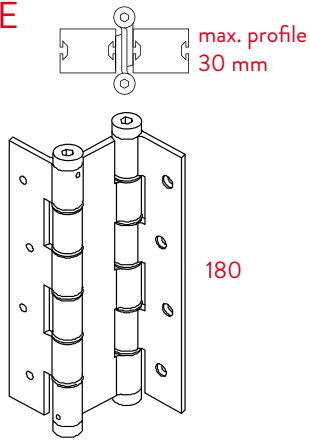


120

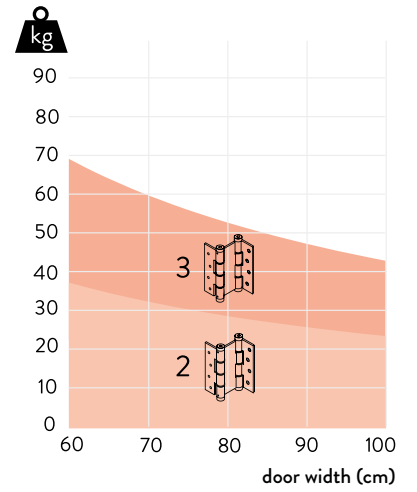
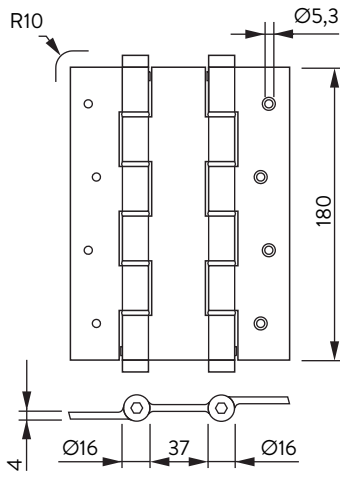
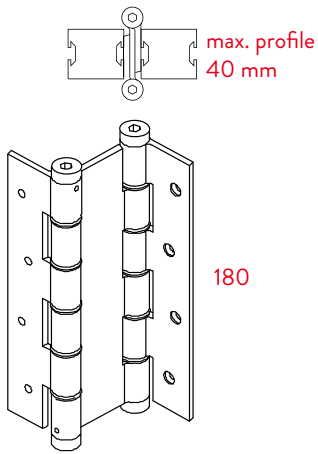


DA double action

DA E
180



DA
180



DA A
180

