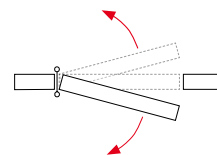


DA ALUM

DA 120 / DA E 120 / DA 180 / DA E 180 / DA A 180

Hinges for swing doors, conceived for a lot of transit. It comes in 120 or 180 mm length. Available in 3 different widths, 30 mm, 40 mm and 50 mm (only DA 180), they provide a solution for any need.



Outside materials

- blade: anodized aluminum
- adjustable cap: zamac
- washers: polyamide

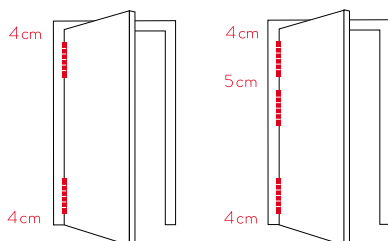
Inside materials

- inner axle: stainless steel AISI 304
- inner spring: steel (180) or stainless steel (120) blades set with protective grease

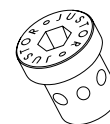
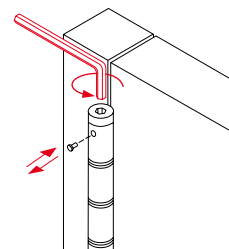
Performance

- application: suitable for indoor/outdoor installation
- automatic return: yes
- adjustable return power: yes
- maximum door opening: 180°
- working cycles: up to 500.000

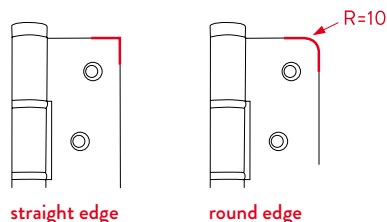
Proper installation of 2 and 3 hinges



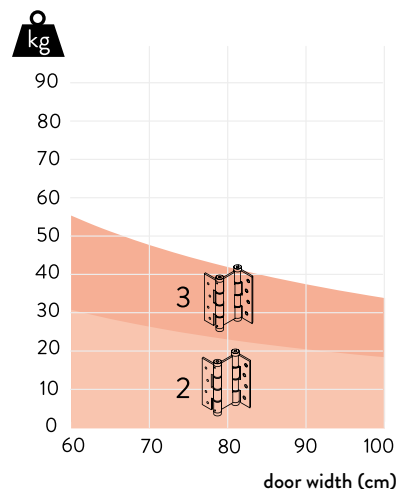
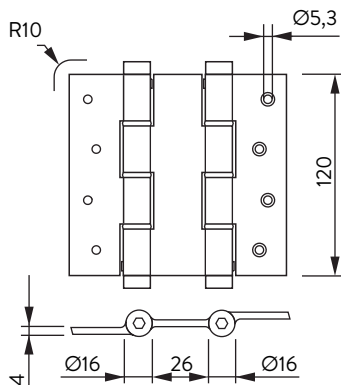
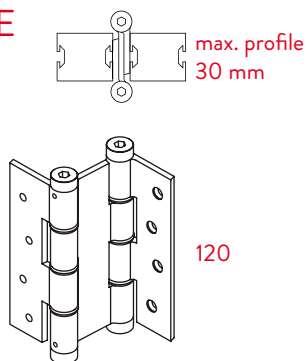
Tension



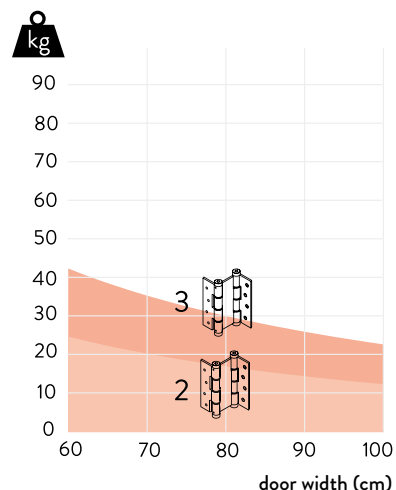
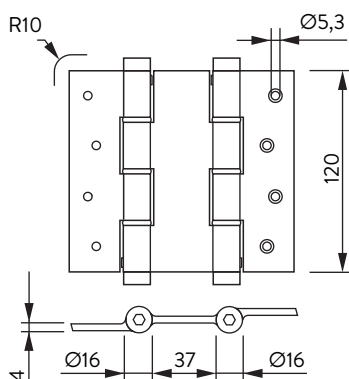
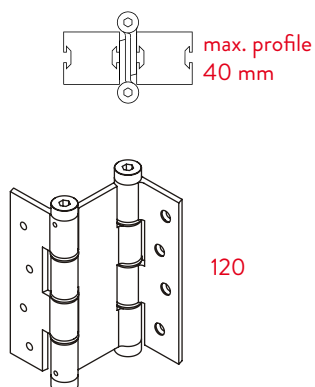
3-points adjusting cap



DA E 120

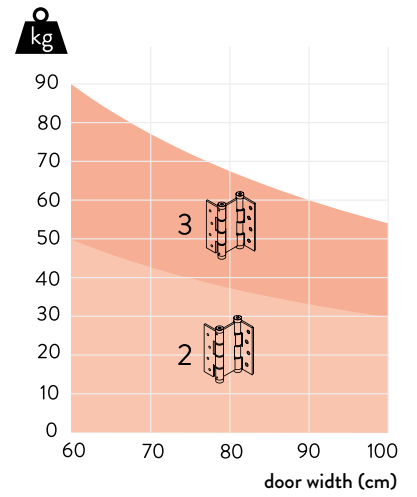
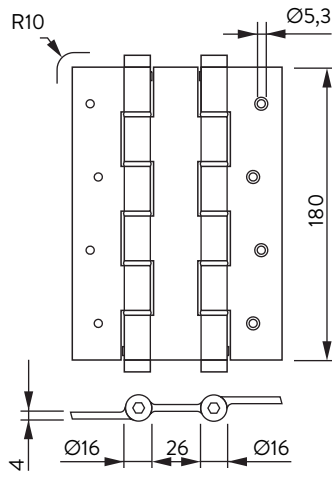
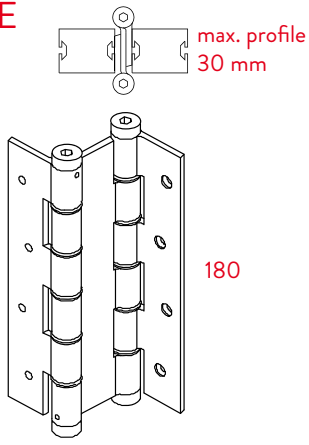


DA 120

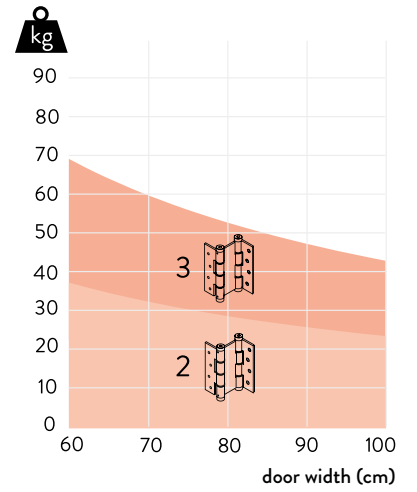
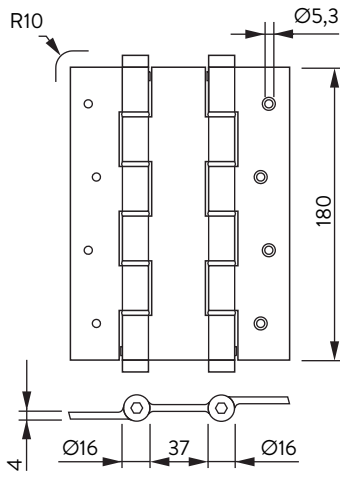
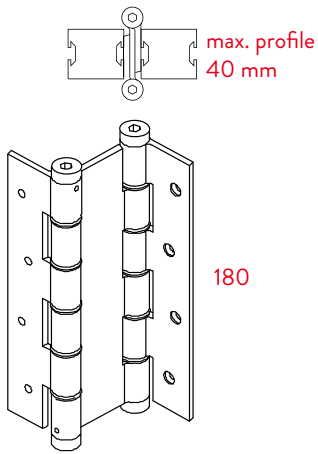


DA double action

DA E
180



DA
180



DA A
180

